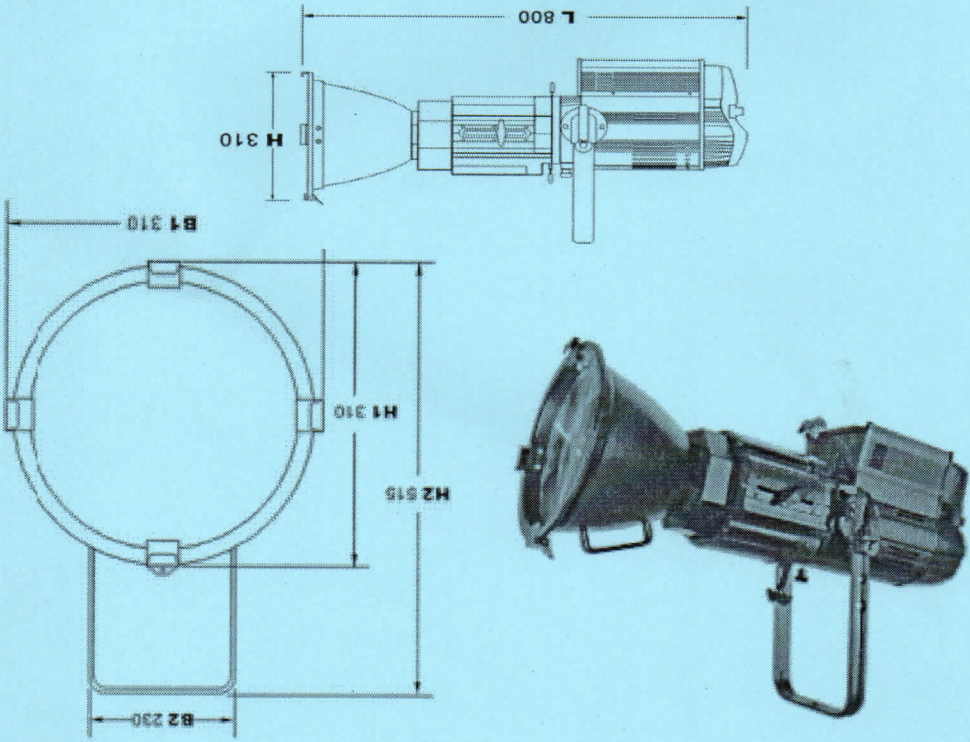


ZS-F LED PROFILE LIGHT (8°)

OPERATE INSTRUCTION



• Package and accessories

1. LED 8° profile light 1 unit
2. Five-pins Cannon plug 1 pair
3. Power plug 1 pair

• Functions Specifications

- ◆ Input voltage 100-240V 50-60HZ
- ◆ Power consumption 250W
- ◆ Fixed Angle 8°
- ◆ DMX dimming or Manual dimming.
- ◆ Above 16 bit Flicker-free dimming
- ◆ G.W.: 15kg N.W.: 12kg

• Keys instruction

- ➡ Confirm ➡ Function
- ⬇️ Down
- ⬆️ Up

- ◆ Press Function key display different functions cyclically.
- ◆ Press Down key and Up key to adjust each function's parameter value.
- ◆ Press confirm key to confirm the function and parameter value.

Special remind: Maximum 10 units daisy chained. The connect power cable must use 3 X 2.5² with grounding cord

• Screen display and its function

No.	Screen	Function instruction
1	DMX-ADR 881 v	Already connect with DMX signal . press "⬆️" and "⬆️" keys can adjust DMX address.
2	DMX-ADR 881 x	not connect with DMX signal. Can set master/slave connected, press "⬆️" key or "⬆️" key can adjust address you want .
3	ADJ-M 255	Manual dimming mode , press "⬆️" key and "⬆️" key to dimming

• DMX channels functions

There is ONLY ONE DMX channel (0-255 dimming)

• Master/slave connect instruction

Set all units address as "001" , DMX signal off , can set any unit as master, set functions on the master unit by the key .